

USU Novell Addressing Scheme

Domain: USU.EDU
 Network number: 129.123.0.0
 Default netmask: 255.255.255.0

IP rules

Default gateway is 129.123.X.254 where X is the corresponding part of the host's IP address.

Each Novell server with two or more network interfaces gets its own IP subnet. This includes Netware 2.x machines.

Each interface of a Novell server is assigned an IP address regardless of the version of Netware or protocols that are to be routed.

If a server has three or more interfaces, the netmask will be 255.255.255.192 and each internal (non backbone) interface will use the top two bits in the last octet to determine its IP network address.

IPX rules

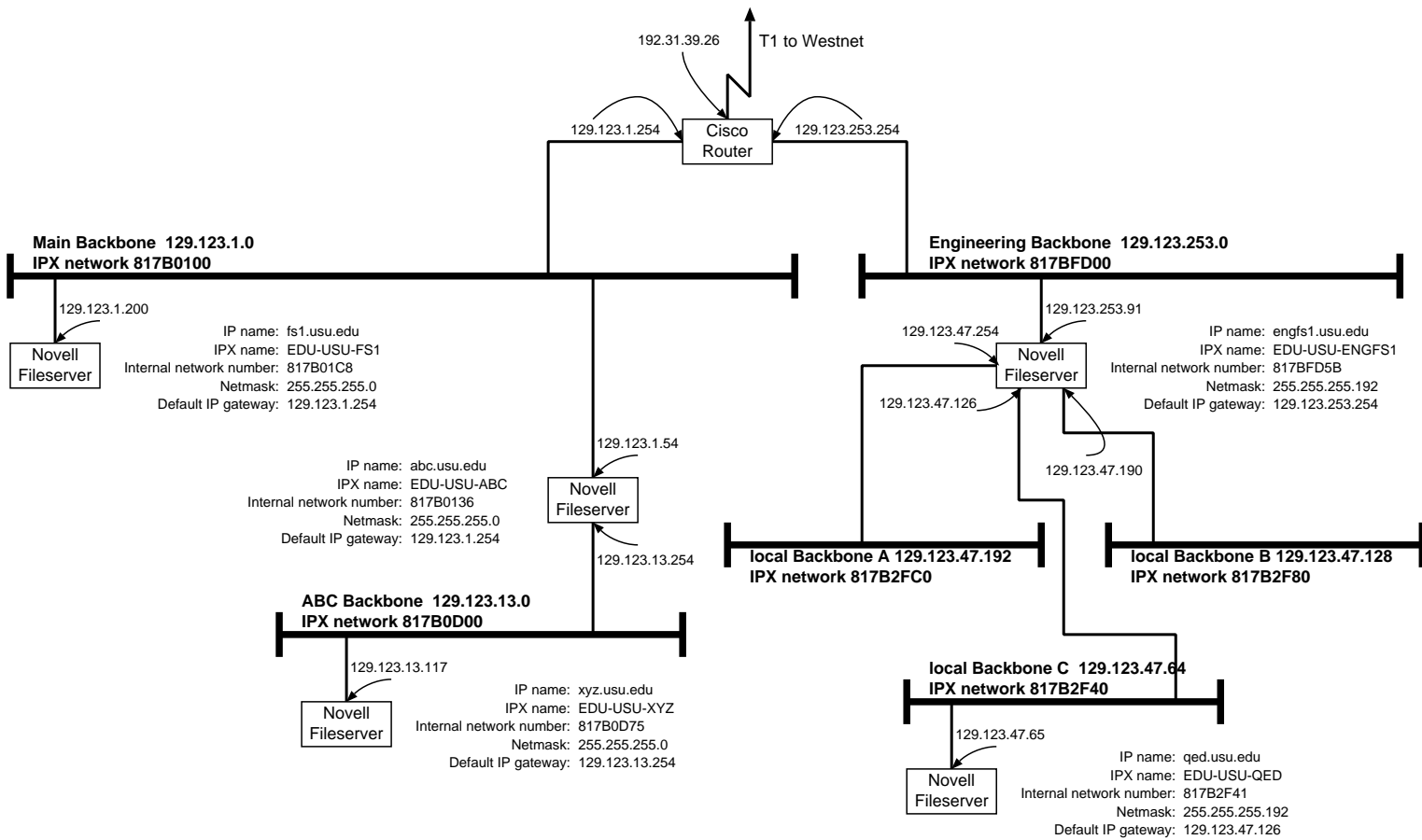
All Novell address and network numbers are determined by the IP addresses assigned to that server.

The internal IPX number is always the IP address of the network interface that is "closest" to the backbone (converted to HEX)

The IPX network number is the IP address for that interface ANDed with the netmask (converted to HEX)

All Novell fileserver names are the IP name flipped with the periods replaced with dashes. For example, SERVER.USU.EDU would be EDU-USU-SERVER.

Examples*



*Address used are for example only. These are not the actual addresses or names used. The network topology is an example as well.